

## Model 1800

Rack and Wallmount



**NEB and CE Certified**

### Standard and Optional Features

Inputs/Outputs – 16/2 or 32/4

GUI Programming / Browser Alarm Screen

Connection: Ethernet, Serial & Modem

Options: IP to 4 Serial Ports

8 Analog Inputs

Midpoint Battery Monitoring

Sensors: AC Power, Temperature, Water & Door

Pre-Wired Block and Cable

## *FEATURES*

- SNMP, TL-1 and TABS reporting
- Ethernet and Modem support (autonomous or dial-in)
- Traps containing point description, severity, current state and timestamp
- Wallmount enclosure (dimensions 10" x 8" x 1.25") or Rackmount (1 VU rack height 1.75", 19" rack mount)
- Status display on faceplate, for input indicators and outputs, LAN activity, power
- Standard -48VDC Power



Temperature and Voltage Graphs Using ISD4000

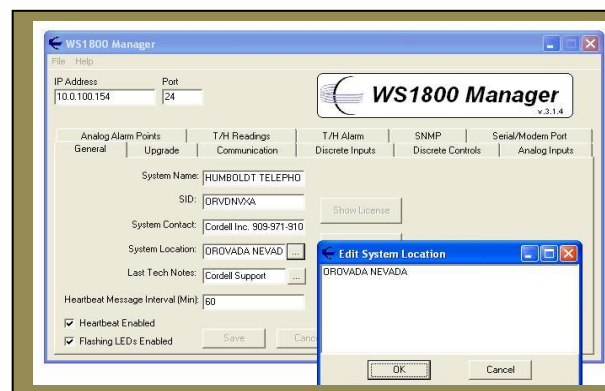
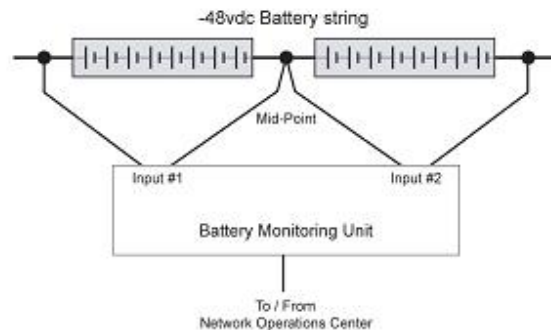
- Temperature range: -40°/+70° Celsius
- Analog inputs & proactive Mid-Point Battery Monitoring

# Cordell Model 1800

## Midpoint Battery Monitoring

The Model 1800 offers two types of battery monitoring. Mid-Point Battery monitoring (Max. 4 strings) and analog value monitoring (Max. of 8 Values. Mid-Point Battery Monitoring (MPBM) provides an edge by enabling you to address battery or power problems before they become an issue to your network.

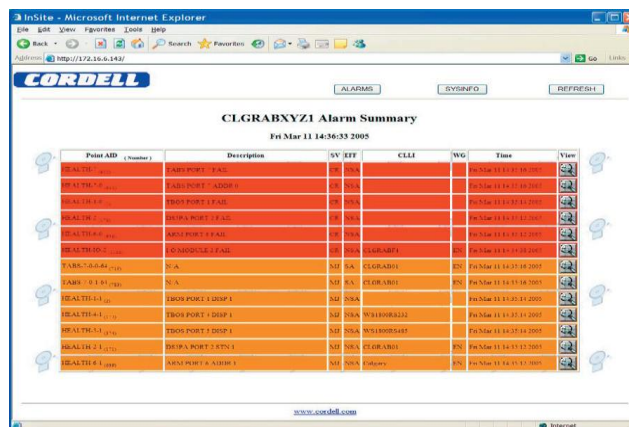
Integrated into the **Cordell 1800** rack version RTU, MPBM detects imbalances between Battery-string segments and reports user defined threshold levels as alarms to the Network Operations Center. Implementing Cordell's solution allows for simplicity and ease of installation. (Rackmount only).



Programming Screen for 1800



Wallmount Model 1800  
(Battery Monitoring Not available)



Browser based viewing of local and remote

